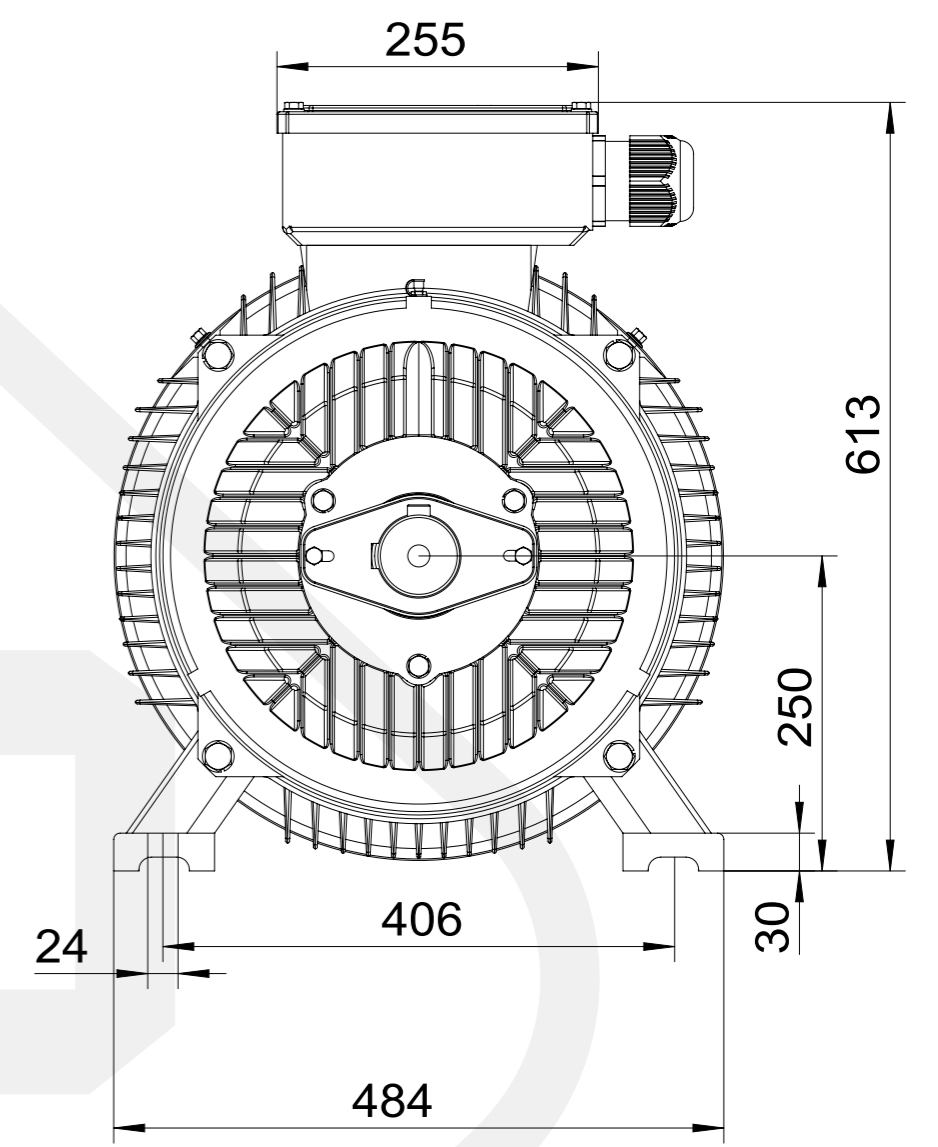
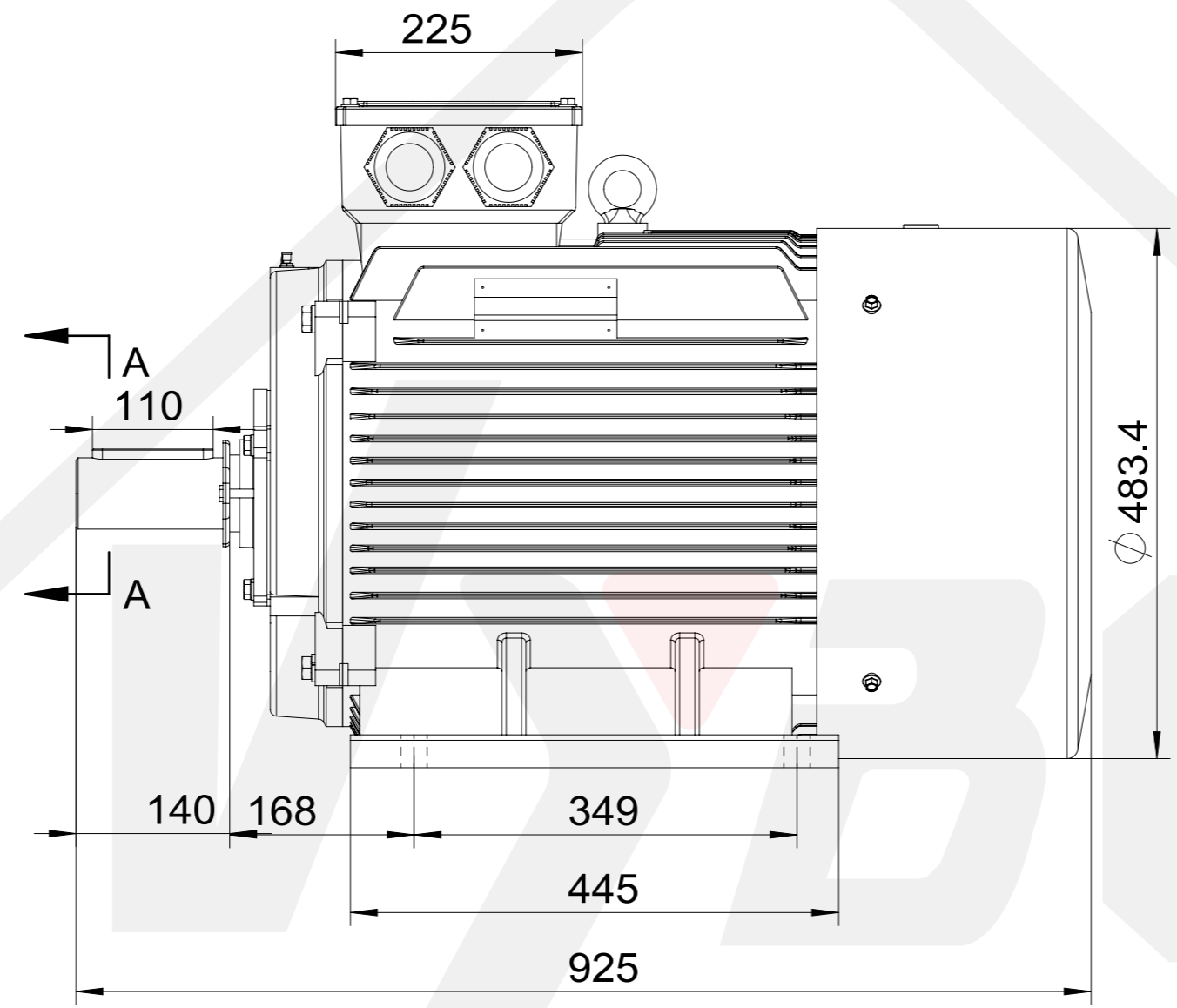
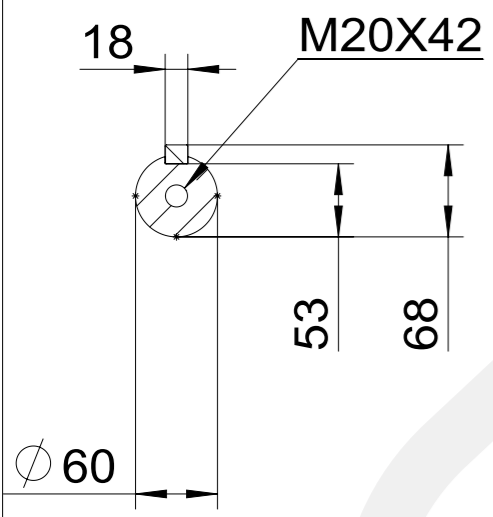




A-A
1:6



Electric s.r.o.

1LC-250-B3-2
Mounting diagram