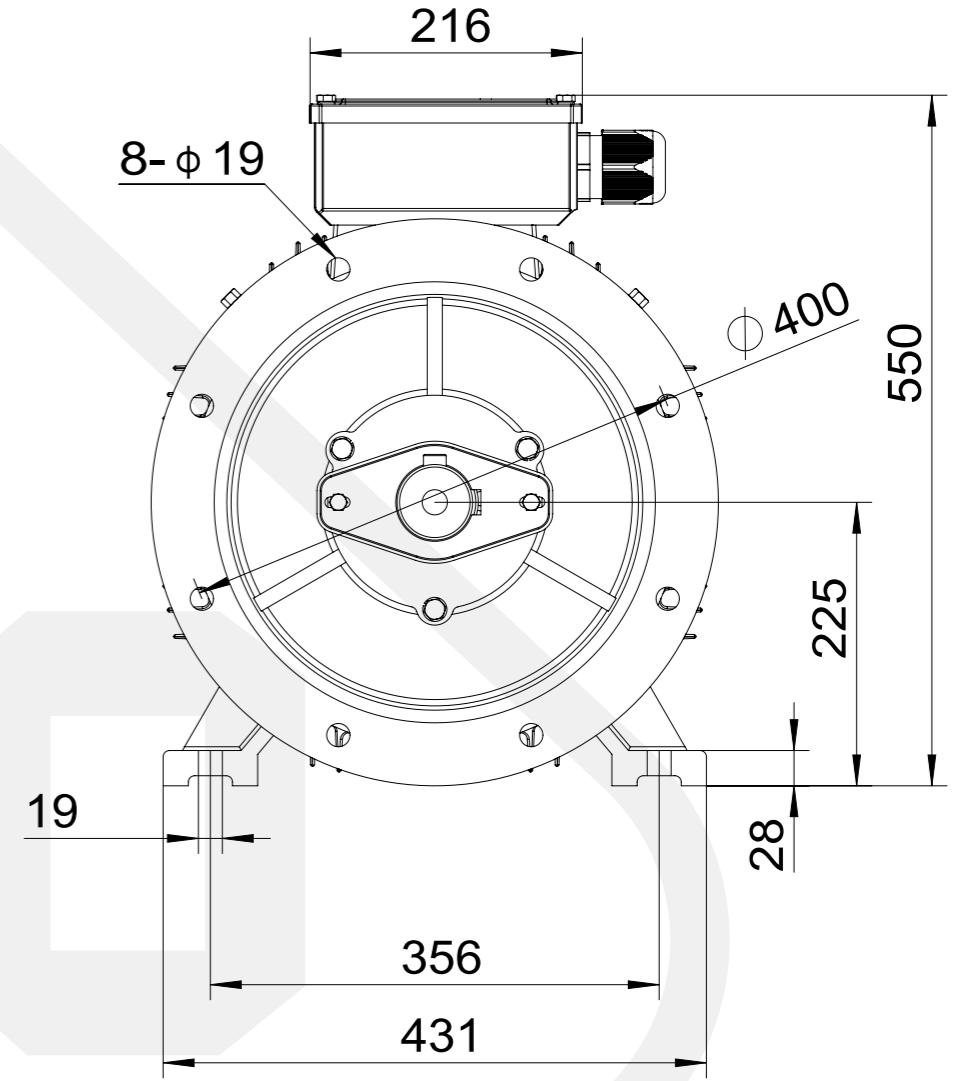
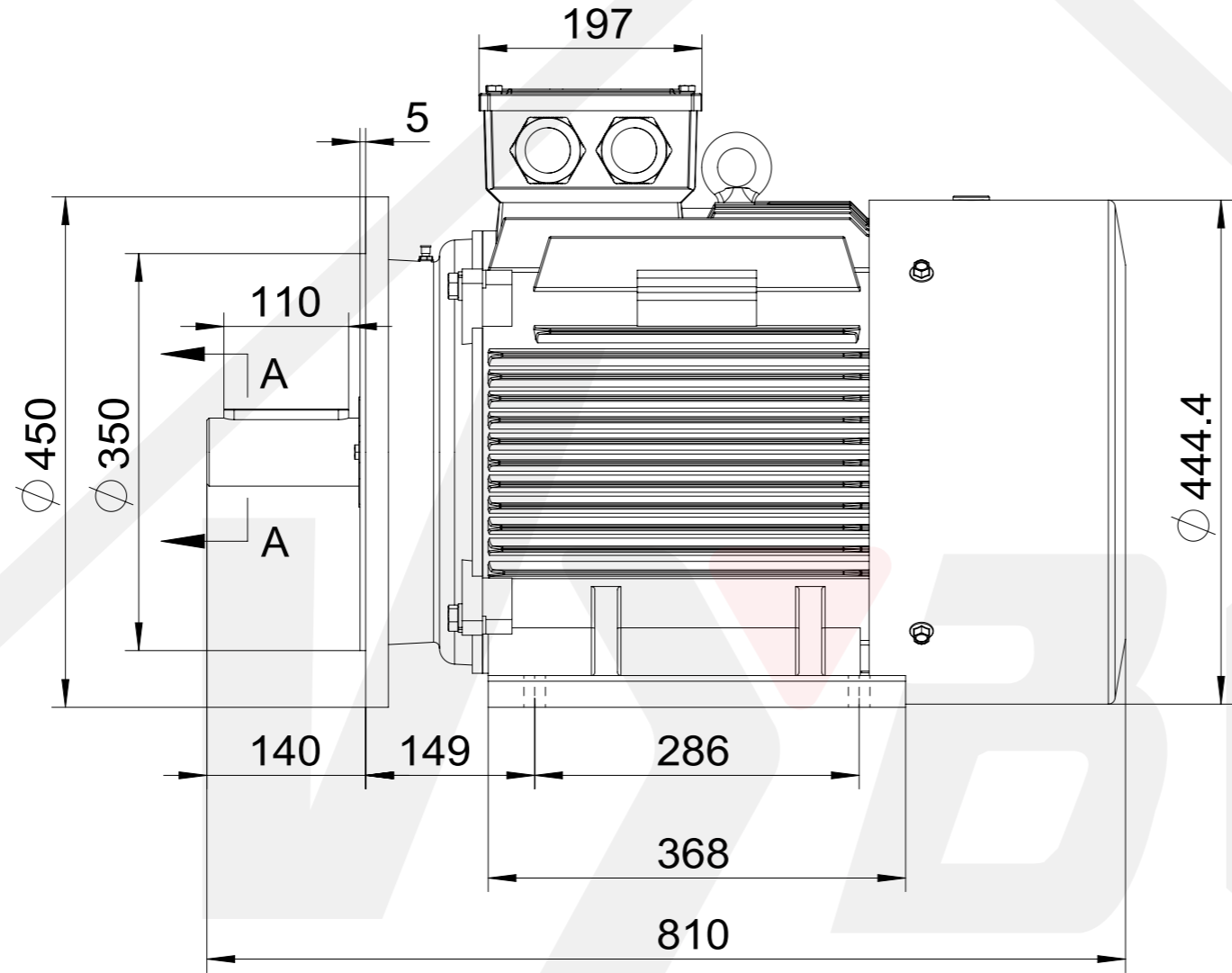
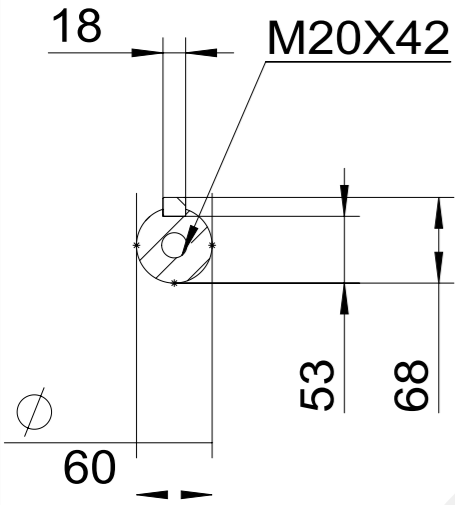




A-A  
1:6



**Electric**  s.r.o.

1LC-225S-B35  
Mounting diagram