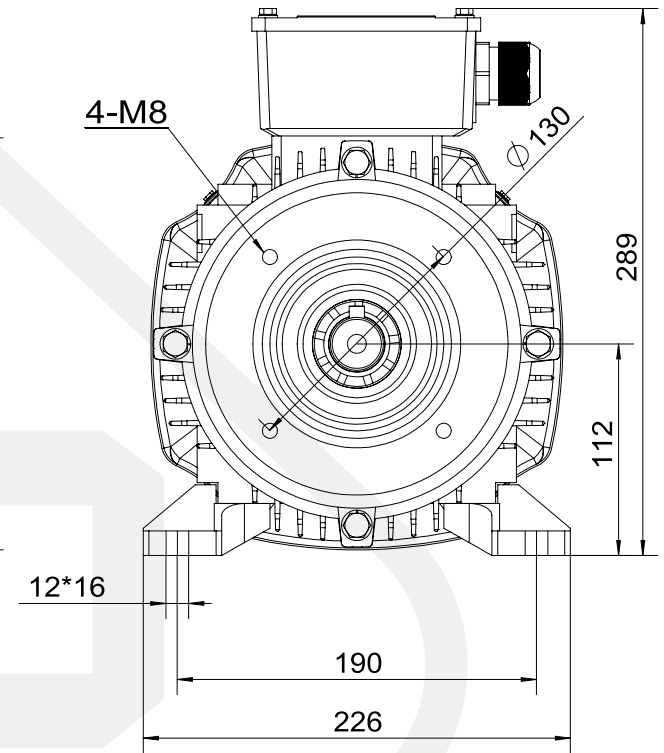
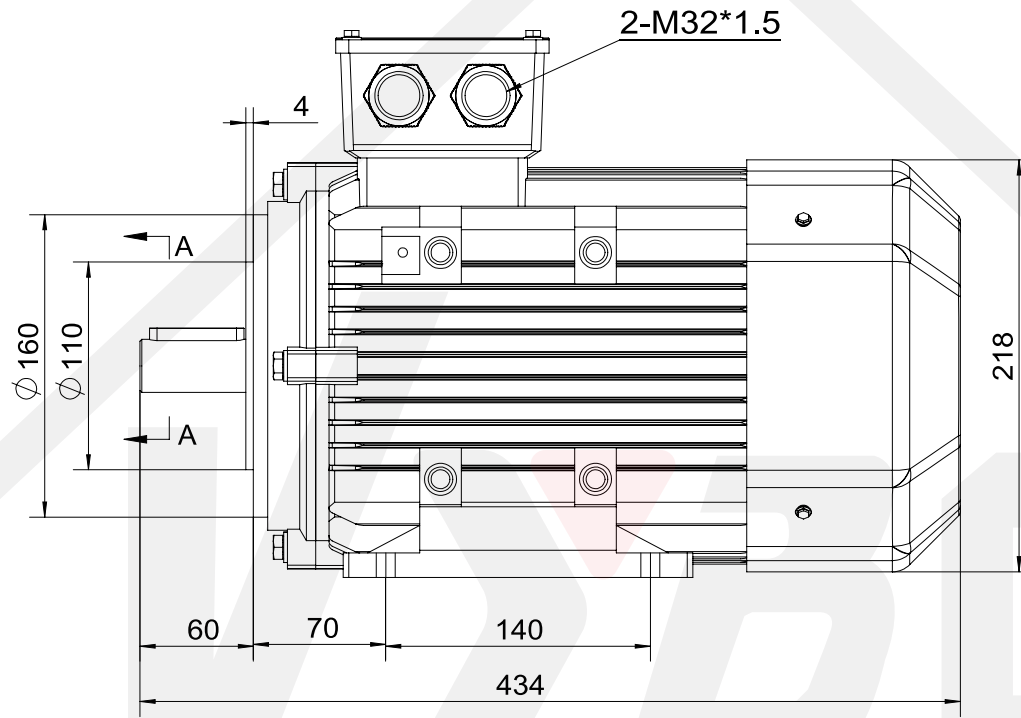
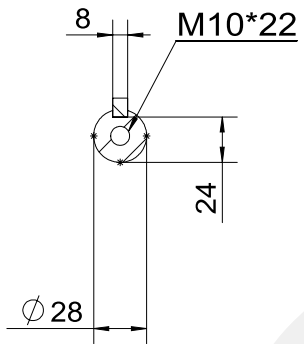




A-A  
1:4



**Electric** s.r.o.

2AL-112M-B34  
Mounting diagram