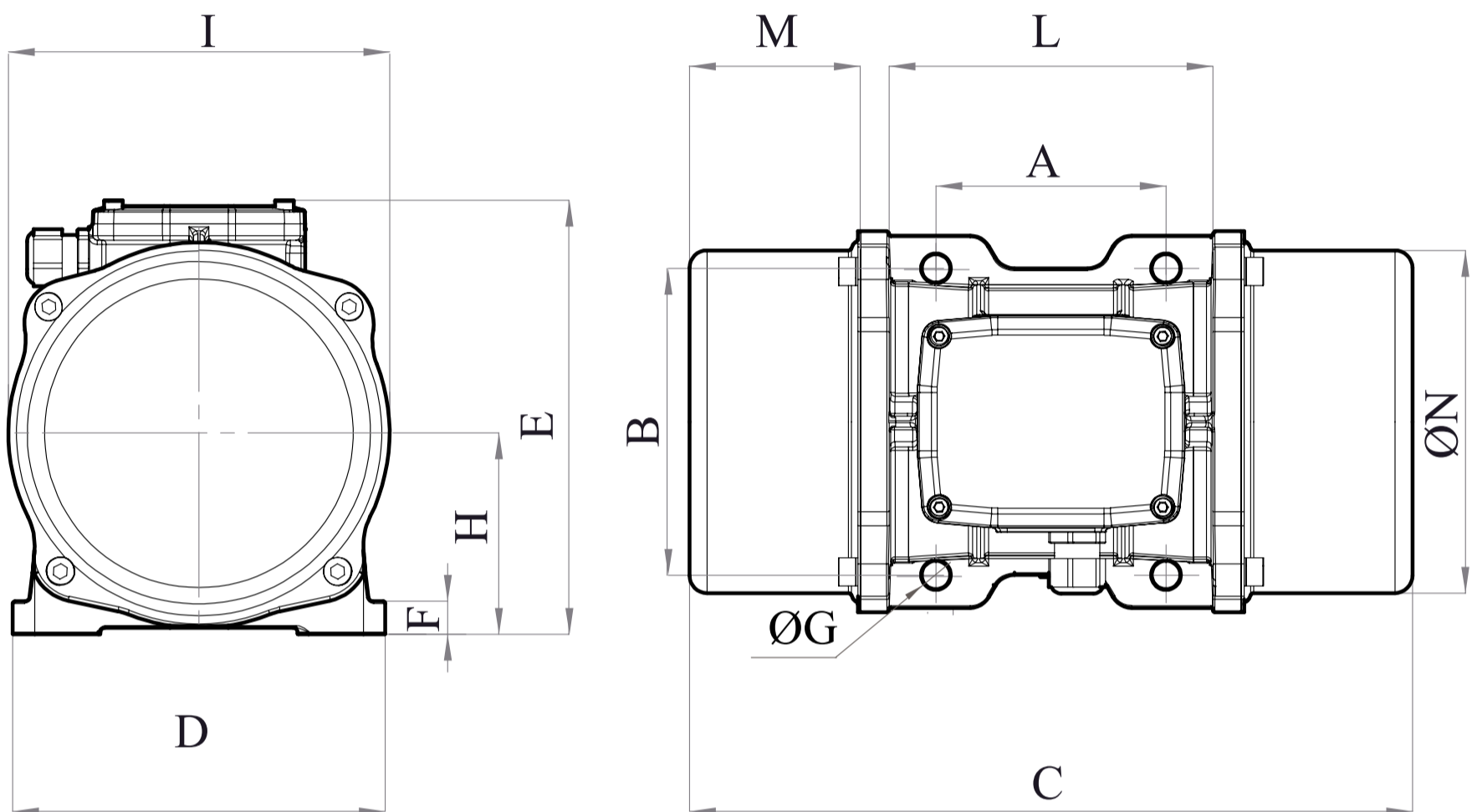




# VEV 710/15E-50A0

3 PH - 4 poles - 1500 RPM - 220-240/380-415 V - 50 Hz

| Working moment [Kg*cm] | Unbalance [Kg*cm] | Centrifugal force [Kg] | Nominal voltage [V] | Input power [kW] | Current [A]   | Power Factor | Ia/In |
|------------------------|-------------------|------------------------|---------------------|------------------|---------------|--------------|-------|
| 56,83                  | 28,42             | 714                    | 220-240/380-415     | 0,62             | Δ 2,28 Y 1,32 | 0,68         | 3,2   |



| OVERALL DIMENSIONS [mm] |     |     |    |              |     |     |     |    |    |     |     |    |     |
|-------------------------|-----|-----|----|--------------|-----|-----|-----|----|----|-----|-----|----|-----|
| Weight [Kg]             | A   | B   | G  | Holes number | C   | D   | E   | F  | H  | I   | L   | M  | N   |
| 27                      | 120 | 170 | 17 | 4            | 391 | 208 | 210 | 22 | 96 | 185 | 192 | 97 | 170 |

| TECHNICAL FEATURES |                  |       |            |                      |             |             |
|--------------------|------------------|-------|------------|----------------------|-------------|-------------|
| Type of grease     | Greased for life | Screw | Washer     | Clamping torque (Nm) | Cable type  | Cable gland |
| MOBILITH SHC 100   | Yes              | M16   | 17 x 30 mm | 185                  | 4G2.5 120°C | M20 120°C   |

| BEARINGS      |      |           |          |          |
|---------------|------|-----------|----------|----------|
| Bearing model | Type | Life 100% | Life 80% | Life 50% |
| NJ 306        |      | 55209     | 116156   | >100000  |

| CERTIFICATION  |          |
|--|----------|
| ATEX II2 D Ex tb IIIC Tx Db IP66<br>IECEx Ex tb IIIC Tx Db IP66<br>CLASS II DIV.2 GROUP F,G T4<br>Ex tb IIIC Tx Db IP66<br>[Tx Size Micro,10-30:100°C - Tx Size 40-91:135°C]<br>CONFTO UL1004-3, UL1004-1, UL 60079-0, UL60079-31<br>CERT. CSA C22.2 No.100, CSA C22.2 No.77, CSA C22.2N.60079-0, CSA C22.2N.60079-31<br>T.Amb -20/+40°C | <br><br> |